



SILVERSTONE

3.5" drive cage for SilverStone RM400 / RM41-506 / RM41-H08

Features

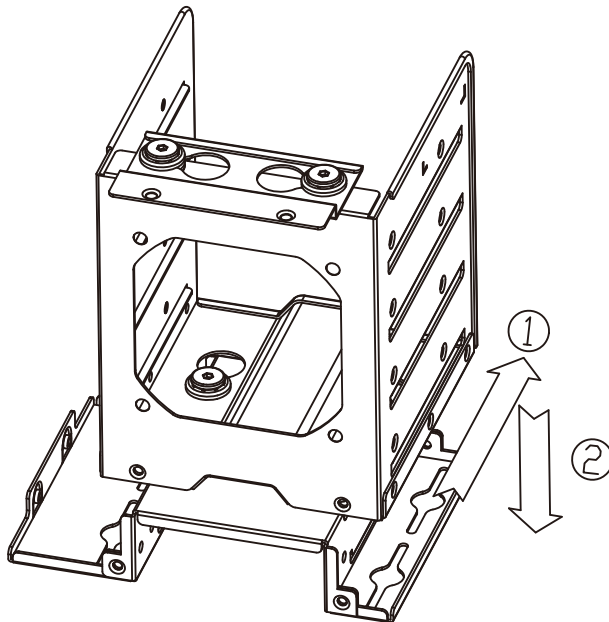
- Support for four 3.5" devices and one 2.5" device
- Support for one 80mm fan
- For use in RM400 / RM41-506 / RM41-H08

G11909510-RT

The base for G11909510-RT will come pre-installed facing the left side of the case, if you wish to install it facing the right side of the case, please refer to the following steps

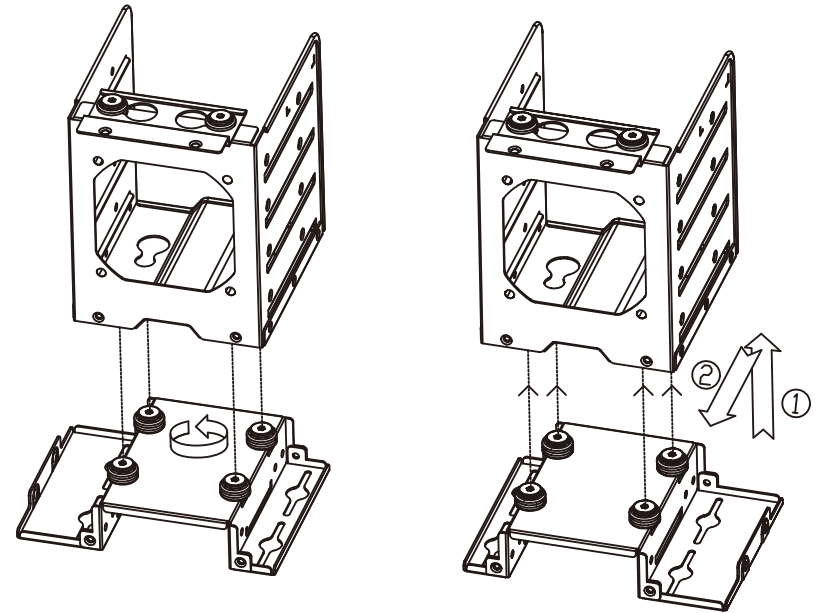
1

Remove the base



2

Rotate the base and reinstall it



3

Installation complete

