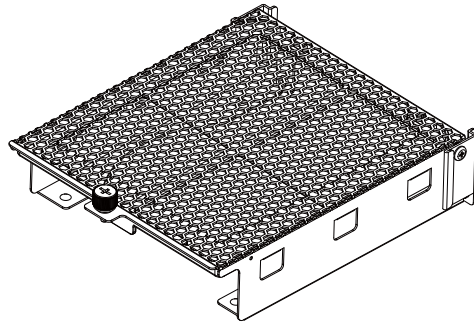




SILVERSTONE

120mm fan expansion cage

with dust filter for SilverStone RM400 / RM41-506 / RM41-H08

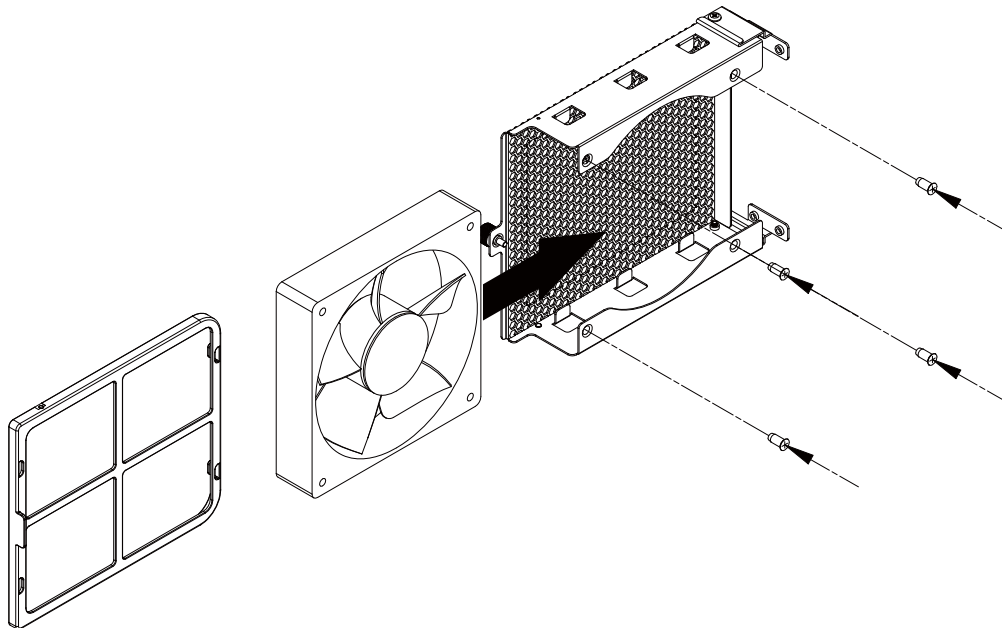


Features

- Supports one 120mm x 25mm fan
- Fan filter included to provide great dust reduction.
- For use in RM400 / RM41-506 / RM41-H08

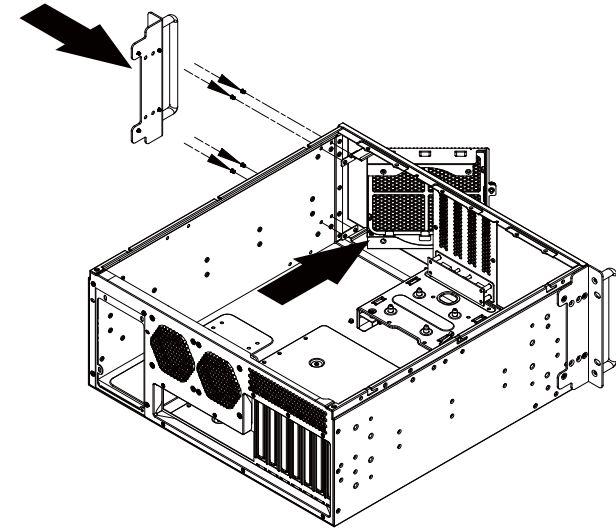
G11910160-RT

Install 120mm fan (optional)



First remove the internal accessories in the chassis, position the fan expansion cage from the inside, then secure with the included 4pcs screws.

1 Right side of the chassis



2 Left side of the chassis

