

有毒有害物质/元素及其化学含量表

部件名称	铅 (Pb)	汞 (Hg)	镉 (Cd)	六价铬 (Cr(VI))	多溴联苯 (PBB)	多溴二苯醚 (PBDE)
把手	○	○	○	○	○	○
左右档板	○	○	○	○	○	○

○: 表示该有毒有害物质在该部件所有均质材料中的含量均在 SJ/T11364-2014标准规定的限量要求以下。

×: 表示该有毒有害物质在该部件材料中的含量超出 SJ/T11364-2014标准规定的限量要求。

本表中有 × 的部件均符合欧盟 RoHS 法规，即欧盟第 2011/65/EU 号指令要求。

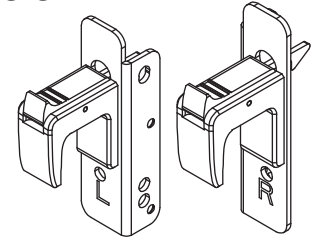


产品合格证

检验员: 检01
生产日期: 见产品条码

High quality auto lock handle for 2U rackmount chassis

RA03



Auto lock handle for convenient fixation of 2U rackmount to cabinet

Pre-drilled Mounting holes ready for quick installation

Helps save management time and cost with screw-less design

Ergonomically designed handle

www.silverstonetek.com

Warranty Information

This product has a limited 1 year warranty in North America and Australia.

For information on warranty periods in other regions, please contact your reseller or SilverStone authorized distributor.

Warranty terms & conditions

- Product component defects or damages resulted from defective production is covered under warranty. Defects or damages with the following conditions will be fixed or replaced under SilverStone Technology's jurisdiction.
 - Usage in accordance with instructions provided in this manual, with no misuse, overuse, or other inappropriate action.
 - Damage not caused by natural disaster (thunder, fire, earthquake, flood, salt, wind, insect, animals, etc.).
- Product is not disassembled, modified, or fixed. Components not disassembled or replaced.
- Warranty mark/stickers are not removed or broken.
- Loss or damages resulted from conditions other than ones listed above are not covered under warranty.
- Under warranty, SilverStone Technology's maximum liability is limited to the current market value for the product (depreciated value, excluding shipping, handling, and other fees). SilverStone Technology is not responsible for other damages or loss associated with the use of product.
- Under warranty, SilverStone Technology is obligated to repair or replace its defective products. Under no circumstances will SilverStone Technology be liable for damages in connection with the sale, purchase, or use including but not limited to loss of data, loss of business, loss of profits, loss of use of the product or incidental or consequential damage whether or not foreseeable and whether or not based on breach of warranty, contract or negligence, even if SilverStone Technology has been advised of the possibility of such damages.
- Warranty covers only the original purchaser through authorized SilverStone distributors and resellers and is not transferable to a second hand purchaser.
- You must provide sales receipt or invoice with clear indication of purchase date to determine warranty eligibility.
- If a problem develops during the warranty period, please contact your retailer/reseller/SilverStone authorized distributors or SilverStone <http://www.silverstonetek.com>.

Please note that: (i) You must provide proof of original purchase of the product by a dated itemized receipt; (ii) You shall bear the cost of shipping (or otherwise transporting) the product to SilverStone authorized distributors. SilverStone authorized distributors will bear the cost of shipping (or otherwise transporting) the product back to you after completing the warranty service; (iii) Before you send the product, you must be issued a Return Merchandise Authorization (RMA) number from SilverStone. Updated warranty information will be posted on SilverStone's official website. Please visit <http://www.silverstonetek.com> for the latest updates.

Additional info & contacts

For North America (usasupport@silverstonetek.com)

SilverStone Technology in North America may repair or replace defective product with refurbished product that is not new but has been functionally tested. Replacement product will be warranted for remainder of the warranty period or thirty days, whichever is longer. All products should be sent back to the place of purchase if it is within 30 days of purchase, after 30 days, customers need to initiate RMA procedure with SilverStone Technology in USA by first downloading the "USA RMA form for end-users" form from the below link and follow its instructions. <http://silverstonetek.com/contactus.php>

For Australia only (support@silverstonetek.com)

Our goods come with guarantees that cannot be excluded under the Australian Consumer Law.

You are entitled to a replacement or refund for a major failure and for compensation for any other reasonably foreseeable loss or damage. You are also entitled to have the goods repaired or replaced if the goods fail to be of acceptable quality and the failure does not amount to a major failure.

Please refer to above "Warranty terms & conditions" for further warranty details. SilverStone Technology Co., Ltd. 12F No. 168 Jianshang Rd., Zhonghe Dist., New Taipei City 235 Taiwan R.O.C. + 886-2-8228-1238

(standard international call charges apply)

For Europe (support.eu@silverstonetek.de)

For all other regions (support@silverstonetek.com)

Introduction

The RA03 is a durable rackmount handle kit for SilverStone cases that are rackmount ready. It is equipped with pre-drilled mounting holes for easy attachment and its simple auto lock allows IT managers to quickly secure the cabinet without using screws, thus helping to streamline server room management. The RA03 also has ergonomic handle design that makes pushing and pulling attached chassis effortless, making this high quality rackmount kit an unbeatable finishing touch for any rackmount setup!

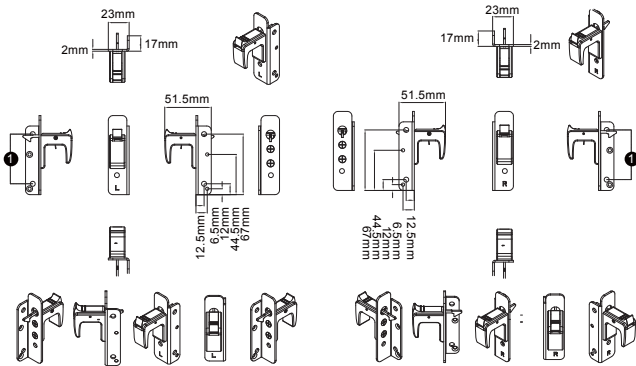
Specifications

Model No.	SST-RA03B
Material	Aluminum, SGCC
Color	Black handle, bare metal colored bracket
Supported chassis form factor	2U
Supported rackmount chassis model	SST-RM208
Net Weight	0.16kg
Dimension	87.5mm (W) x 23mm (H) x 51.5mm (D)

* Please make sure your chassis screw hole is suitable for RA03.

Screw hole dimension

1. SST-RM208



Installation guide

01

ENGLISH

Remove the existing handles from your chassis

DEUTSCH

Entfernen Sie die vorhandenen Griffe von Ihrem Gehäuse

FRANÇAIS

Retirez les poignées existantes de votre châssis

ESPAÑOL

Retire las asas existentes de su chasis

ITALIANO

Rimuovere le impugnature esistenti dallo chassis

РУССКИЙ

Удалите существующие ручки с вашего корпуса

繁體中文

從機殼中卸下現有把手

簡體中文

从机箱中卸下现有把手

日本語

ケースから既設のハンドルを取り外します

한국어

기존 핸들을 새시에서 떼어냅니다

02

ENGLISH

Use screws from your chassis to secure the RA03 to your chassis

DEUTSCH

Befestigen Sie das RA03 mit den dem Gehäuse zugehörigen Schrauben an Ihrem Gehäuse

FRANÇAIS

Utilisez les vis de votre châssis pour fixer le RA03 à votre châssis

ESPAÑOL

Use tornillos de su chasis para fijar el RA03 a su chasis

ITALIANO

Utilizzare le viti dello chassis per fissare RA03 allo chassis

РУССКИЙ

Используйте винты от вашего корпуса, чтобы закрепить RA03

繁體中文

用您機殼原本的螺絲將RA03鎖在機殼上

簡體中文

用您机箱原本的螺丝将RA03锁在机箱上

日本語

ケースからのネジで、RA03をケースに固定します

한국어

새시의 나사를 이용해서 RA03을 새시에서 고정합니다

03

ENGLISH

Installation complete

DEUTSCH

Damit ist die Installation abgeschlossen

FRANÇAIS

Le montage est terminé

ESPAÑOL

Instalación completa

ITALIANO

L'installazione è completata

РУССКИЙ

Установка завершена

繁體中文

安裝完成

簡體中文

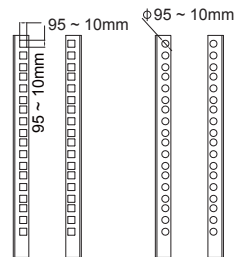
安裝完成

日本語

インストール完了

한국어

설치가 완료되었습니다



ENGLISH

Hole size applicable range :

- (1) Square holes : Unilateral length 9.5 ~ 10mm
- (2) Circular holes : Diameter 9.5 ~ 10mm

DEUTSCH

Anwendungsbereich je nach Lochgröße :

- (1) Rechteckiges Loch Aluminiumstütze : einseitige Länge 9,5 ~ 10 mm
- (2) Kreisrundes Loch Aluminiumstütze : Durchmesser 9,5 ~ 10 mm

FRANÇAIS

Champ d'application de la taille des pores :

- (1) Colonne en aluminium à pore carré : Longueur unilatérale de 9,5 à 10 mm
- (2) Colonne en aluminium à pore circulaire : Diamètre de 9,5 à 10 mm

ESPAÑOL

Ámbito de aplicación del tamaño de los poros :

- (1) Poro cuadrado columna de aluminio : Longitud unilateral 9,5 ~ 10mm
- (2) Poro circular columna de aluminio : Diámetro 9,5 ~ 10mm

ITALIANO

Campo di applicazione dimensioni pori :

- (1) Colonna in alluminio pori quadrati : Lunghezza unilaterale 9,5 ~ 10 mm
- (2) Colonna in alluminio pori circolari : Diametro 9,5 ~ 10 mm

РУССКИЙ

Размер отверстий для крепления :

- (1) Квадратные отверстия алюминиевой колонны : Односторонняя длина 9,5 ~ 10 мм
- (2) Круглые отверстия алюминиевой колонны : Диаметр 9,5 ~ 10 мм

繁體中文

孔徑適用範圍:

- (1) 方孔: 單邊長度 9.5 ~ 10mm
- (2) 圓孔: 直徑 9.5 ~ 10mm

簡體中文

孔徑适用范围:

- (1) 方孔: 单边长度 9.5 ~ 10mm
- (2) 圆孔: 直径 9.5 ~ 10mm

日本語

適用可能な穴の範囲:

- (1) 方形穴アルミニウム支柱: 片側長さ 9.5 ~ 10mm
- (2) 円形穴アルミニウム支柱: 直径 9.5 ~ 10mm

한국어

적용 구멍 크기 :

- (1) 사각형 구멍 알루미늄 기둥 : 일방 길이 9.5 ~ 10mm
- (2) 원형 구멍 알루미늄 기둥 : 직경 9.5 ~ 10mm