

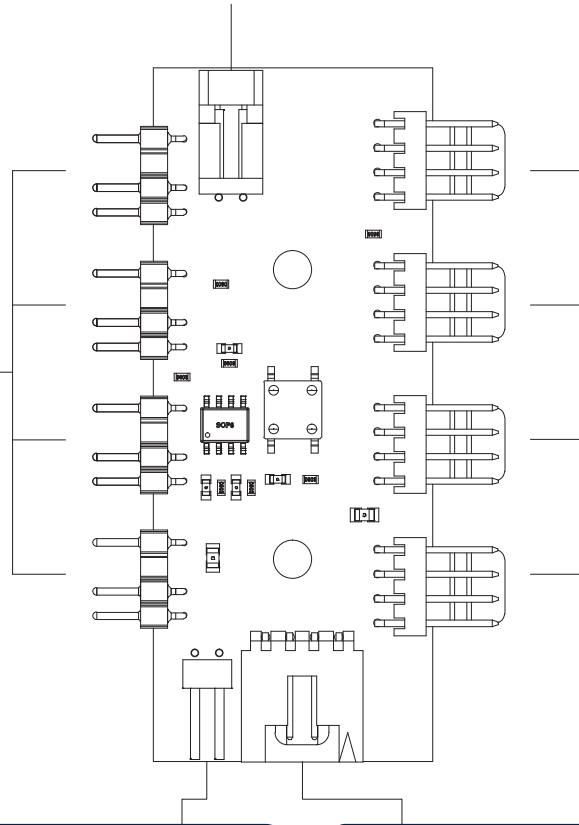
10 lighting modes:

- 1 Rainbow steady
- 2 Rainbow breathing
- 3 Rainbow flow: clockwise
- 4 Rainbow flow: anti-clockwise
- 5 Single color scroll: clockwise
- 6 Single color scroll: anti-clockwise
- 7 Single color gradient
- 8 Single color breathing
- 9 Single color steady
- 10 Lighting OFF (After connecting the LED button of the chassis to the controller, long press on this button to turn off lighting mode.)

Restart lighting: After connecting the LED button of the chassis to the controller, long press or click once on the LED button to restart lighting.

Motherboard lighting control or control through RGB controller: After connecting the LED button of the chassis to the controller, double click on the LED button to switch between lighting control functions.

Connects to the motherboard ARGB header, to synchronize ARGB lighting effects with the motherboard (support 4-1 pin)



4 x ARGB headers

4 x 3pin / 4 pin fan headers (only supports fans rotating at full speed)

Connects to the 2pin LED button on the front IO to easily change lighting effects by pressing the LED button

SATA Power