



**SILVERSTONE**<sup>®</sup>  
Designing Inspiration

**OP SERIES**

# **OP1000-P**

**Power beyond conventional restrictions**

- Class-leading single +12V rail with 80A
- 1000W continuous power output rated up to 50°C
- Low ripple & noise with  $\pm 3\%$  voltage regulation
- Efficiency greater than 80% at 20%~100% loading
- Six PCI-E 6pin, dual PCI-E 8pin connectors
- Silent running 120mm Fan with 20 dBA
- Support ATX 12V 2.3 & EPS 12V

# **SPECIFICATION**

SilverStone OP series OP1000-P  
ATX12V 2.3 Switching Power Supply  
With Active PFC  
PS/2 1000W

## 1. General

This is the specification of Model OP1000-P; it is intended to describe the functions and performance of the subject power supply. This PS/2 1000 watts switching power supply with Active PFC (Power Factor Correction) capability, meets EN61000-3-2 and equips Full Range Input features.

## 2. AC Input Specifications

### 2.1 AC Input Voltage, Frequency and Current ( Rating: 100V-240Vac, 47-63Hz, 15-7.5A )

The power supply must operate within all specified limits over the input voltage range in Table 1. Harmonics distortion of up to 10% THD must not cause the power supply to go out of specified limits.

| Parameter      | Minimum | Norminal   | Maximum | Max. Current |
|----------------|---------|------------|---------|--------------|
| Voltage (115V) | 90 Vac  | 100-120Vac | 132 Vac | 15A          |
| Voltage (230V) | 180 Vac | 200-240Vac | 264Vac  | 7.5A         |
| Frequency      | 47 Hz   | 50 / 60 Hz | 63 Hz   |              |

Table 1 – AC Input Voltage and Frequency

### 2-2 AC Inrush Current

The power supply must meet inrush requirements of any rated AC voltage, during turn on at any phase of voltage, during a single cycle AC dropout condition, during repetitive On/Off cycling of AC, and over the specified temperature range. The peak inrush current shall be less than the rating of its critical components (including input fuse, bulk rectifiers, and surge limiting device).

### 2.3 Input Power Factor Correction ( Active PFC)

The power factor at full load shall be  $\geq 0.99$  at nominal input voltage.

### 2.4 Input Current Harmonics

When the power supply is operated in 90-264Vac of Sec. 2.1, the input harmonic current drawn on the power line shall not exceed the limits set by EN61000-3-2 class "D" standards. The power supply shall incorporate universal power input with active power factor correction.

### 2.5 AC Line Dropout

An AC line dropout of 17mS or less shall not cause any tripping of control signals or protection circuits.

If the AC dropout lasts longer than 17mS the power supply should recover and meet all turn on requirements. The power supply shall meet the regulation requirement over all rated AC voltages, frequencies, and output loading conditions. Any dropout of the AC line shall not cause damage to the power supply. An AC line dropout is defined as a drop in AC line to 0VAC at any phase of the AC line for any length of time.

## 3. DC Output Specification

### 3.1 Output Current / Loading

The following tables define two power and current rating. The power supply shall meet both static and dynamic voltage regulation requirements for minimum load condition.

#### Single rail for +12V

| Output Voltage | +5V   | +3.3V | +12V (Single Rail) | -12V | +5VSB |
|----------------|-------|-------|--------------------|------|-------|
| Max. Load      | 30A   | 28A   | 80A                | 0.5A | 4A    |
| Min. Load      | 1.0A  | 0A    | 3A                 | 0A   | 0.1A  |
| Max. Combined  | 180W  |       | 80A                | 6W   | 20W   |
| Total Output   | 1000W |       |                    |      |       |

Note 1: Maximum continuous total DC output power should not exceed 1000 W.

### 3.2 DC Voltage Regulation, Ripple and Noise

The power supply output voltages must stay within the following voltage limits when operating at steady state and dynamic loading conditions. All outputs are measured with reference to the return remote sense (ReturnS) signal. The +5V, +3.3V, +12V, -12V and +5VSB outputs are measure at the power supply connectors references to ReturnS. The +5V and +3.3V is measured at its remote sense signal (+5VS, +3.3VS) located at the signal connector.

| Output Voltage | +5V   | +3.3V | +12V1 | +12V2 | +12V3 | +12V4 | +12V5 | -12V  | +5VSB |
|----------------|-------|-------|-------|-------|-------|-------|-------|-------|-------|
| Load Reg.      | +/-3% | +/-3% | +/-3% | +/-3% | +/-3% | +/-3% | +/-3% | +/-5% | +/-5% |
| Line Reg.      | ±1%   | ±1%   | ±1%   | ±1%   | ±1%   | ±1%   | ±1%   | ±1%   | ±1%   |
| Ripple & Noise | 50mV  | 50mV  | 120mV | 120mV | 120mV | 120mV | 120mV | 120mV | 50mV  |

Table 7 – Regulation, ripple and noise

#### Ripple and Noise shall be measured using the following methods:

- Measurements made differentially to eliminate common-mode noise
- Ground lead length of oscilloscope probe shall be  $\leq 0.25$  inch.
- Measurements made where the cable connectors attach to the load.
- Outputs bypassed at the point of measurement with a parallel combination of 10uF tantalum capacitor in parallel with a 0.1uF ceramic capacitors.
- Oscilloscope bandwidth of 0 Hz to 20MHz.
- Measurements measured at locations where remote sense wires are connected.
- Regulation tolerance shall include temperature change, warm up drift and dynamic load

### 3.3 Timing Requirements

These are the timing requirements for the power assembly operation. The output voltages must rise from 10% to within regulation limits (Tvout\_rise) within 5 to 70mS. The +5V, +3.3V and +12V output voltages should start to rise at about the same time. All outputs must rise monotonically. The +5V output needs to be greater than the +3.3V output during any point of the voltage rise. The +5V output must never be greater than the +3.3V output by more than 2.25V. Each output voltage shall reach regulation within 50 mS (Tvout\_on) of each other during turn on of the power supply. Each output voltage shall fall out of regulation within 400 mS (Tvout\_off) of each other during turn off. Figure 1 and figure 2 show the turn On and turn Off timing requirement. In Figure 2, the timing is shown with both AC and PSON# controlling the On/Off of the power supply.

| Item       | Description   | MIN | MAX | Units |
|------------|---|-----|-----|-------|
| Tvout rise | Output voltage rise time from each main output. (+5Vsb < 70mS)            | 5   | 70  | mS    |
| Tvout on   | All main output must be within regulation of each other within this time. |     | 50  | mS    |
| Tvout off  | All main output must leave regulation within this time                    |     | 400 | mS    |

**Table 10 – Output Voltage Timing**

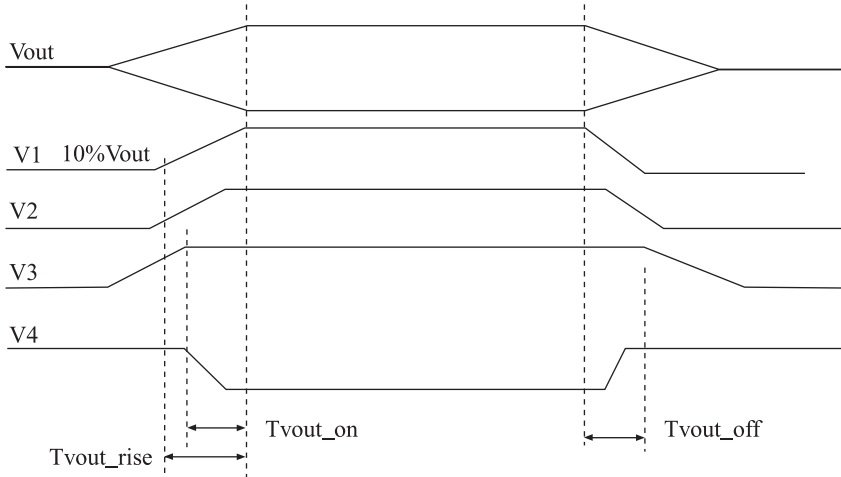
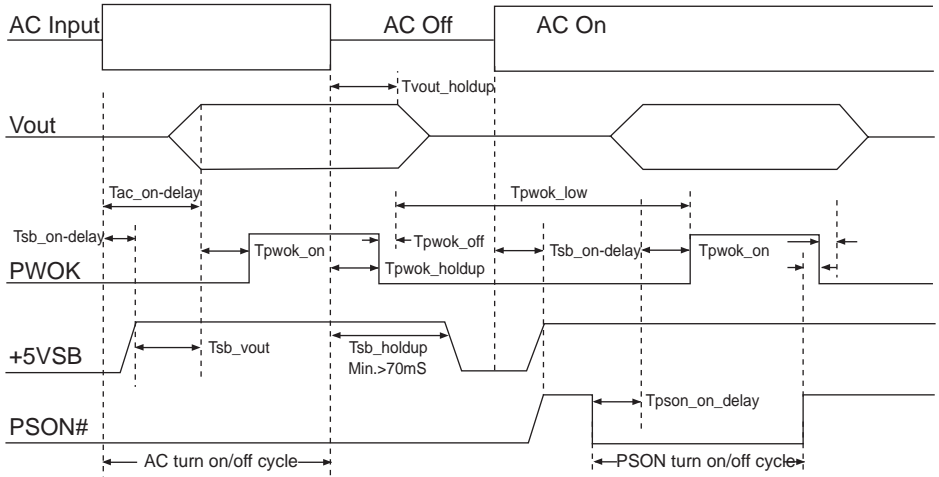


Figure 1 :Output Voltage Timing

| Item           | Description   | MIN | MAX  | Units |
|----------------|---|-----|------|-------|
| Tsb on-delay   | Delay from AC being applied to +5VSB being within regulation.   |     | 1500 | mS    |
| Tac on-delay   | Delay from AC being applied to all output voltages being within regulation.                           |     | 2500 | mS    |
| Tvout holdup   | All main output voltage stay within regulation after loss of AC                                       | 18  |      | mS    |
| Tpwok holdup   | Delay from loss of AC deassertion of PWOK.  | 17  |      | mS    |
| Tpson on delay | Delay from PSON# active to output voltage within regulation limits.                                   | 5   | 400  | mS    |
| Tpson pwok     | Delay from PSON# deactive to PWOK being deasserted.   |     | 50   | mS    |
| Tpwok on       | Delay from output voltage within regulation limits to PWOK asserted at turn on.                       | 100 | 500  | mS    |
| Tpwok off      | Delay from PWOK deasserted to output voltages (+5V, +3.3V, +12V) dropping out of regulation limits.   | 1   |      | mS    |
| Tpwok low      | Duration of PWOK being in the deasserted state during an off/on cycle using AC or the PSON# signal. . | 100 |      | mS    |
| Tsb vout       | Delay from +5VSB being in regulation to O/Ps being in regulation at AC turn on.                       | 50  | 1000 | mS    |

**Table 11 – Turn On/Off Timing**



**Figure 2 : Turn On/Off Timing**

**3.4 Remote On/Off Control : PSON#**

The PSON# signal is required to remotely turn on/off the power supply. PSON# is an active low signal that turns on the +5V, +3.3V, +12V and -12V power rails. When this signal is not pulled low by the system, or left open, the outputs (except the +5VSB and V bias) turn off. This signal is pulled to a standby voltage by a pull-up resistor internal to the power supply.

|              |  |
|--------------|--|
| Signal Type  | Accepts an open collector/drain input from the system.<br>Pull-up to VSB locted in power supply. |
| PSON# = Low  | Power ON   |
| PSON# = High | Power OFF  |

**Table 13 – PWOK Signal Characteristic**

**3.5 Efficiency**

The efficiency is specified at 50% and 20% loading conditions to help reduce system power consumption at typical system loading conditions.

| Loading | 100% of maximum | 50% of maximum | 20% of maximum |
|---------|-----------------|----------------|----------------|
| Minimum | >80%            | >80%           | >80%           |

**3.6 +5VSB (Standby)**

The +5VSB output is always on (+5V Standby) when AC power is applied and power switch is turned on.

The +5VSB line is capable of delivering at a maximum of 4A for PC board circuit to operate.

## 4. Protection

Protection circuits inside the power supply shall cause only the power supply's main outputs to shutdown. If the power supply latches off due to a protection circuit tripping, either a AC cycle OFF for 15 sec, or PSON# cycle HIGH for 1 sec must be able to restart the power supply.

### 4.1 Over Current Protection

This power supply shall have current limit to prevent the +5V, +3.3V, and +12V outputs from exceeding the values shown in table 14. The current limit shall not trip under maximum continuous load or peak loading. The power supply shall latch off if the current exceeds the limit. The latch shall be cleared by toggling the PSON# signal or by cycling the AC power. The power supply shall not be damaged from repeated power cycling in this condition. The -12V and +5VSB outputs shall be shorted circuit protected so that no damage can occur to the power supply.

| Voltage | Minimum | Maximum | Shutdown Mode |
|---------|---------|---------|---------------|
| +5V     | 110%    | 160%    | Latch Off     |
| +3.3V   | 110%    | 160%    | Latch Off     |
| +12V    | 110%    | 160%    | Latch Off     |

Table 14 –Over Current protection

### 4.2 Over Voltage Protection

The power supply shall shut down in a latch off mode when the output voltage exceeds the over voltage limit.

| Voltage     | Minimum | Maximum | Shutdown Mode |
|-------------|---------|---------|---------------|
| +5V         | +5.7V   | +6.5V   | Latch Off     |
| +3.3V       | +3.9V   | +4.5V   | Latch Off     |
| +12V1,2,3,4 | +13.3V  | +14.5V  | Latch Off     |
| 5VSB        | 5.7V    | 6.5V    | Auto recovery |

Table 15 –Over Voltage protection

### 4.3 Short Circuit Protection

The power supply shall shut down in a latch off mode when the output voltage is short circuit.

## 5. Environmental Requirements

### 5.1 Temperature

|                                  |                              |
|----------------------------------|------------------------------|
| Operating Temperature Range:     | 0°C ~ 50°C (32°F ~ 122°F)    |
| Non-Operating Temperature Range: | -40°C ~ 70°C (-40°F ~ 158°F) |

## 5.2 Humidity

|                               |                            |
|-------------------------------|----------------------------|
| Operating Humidity Range:     | 20% ~ 90%RH non-condensing |
| Non-Operating Humidity Range: | 5% ~ 95%RH non-condensing  |

## 6. Agency Requirements

### 6.1 Safety Certification.

|                                 |  |
|---------------------------------|--|
| Product Safety:                 | UL 60950-1 2000Edition, IEC60950-1, 3 <sup>rd</sup> Edition EU Low Voltage Directive (73/23/EEC) (CB) TUV, CCC |
| RFI Emission:                   | FCC Part15 ( Radiated & Conducted Emissions ) CISPR 22,3 <sup>rd</sup> Edition / EN55022: 1998 + A1: 2000)     |
| PFC Harmonic:                   | EN61000-3-2:2000   |
| Flicker:                        | EN61000-3-3: 1995 + A1: 2002   |
| Immunity against:               | EN55024: 1998 + A1: 2001 and A2: 2003  |
| -Electrostatic discharge:       | -IEC 61000-4-2   |
| -Radiated field strength:       | -IEC 61000-4-3   |
| -Fast transients:               | -IEC 61000-4-4   |
| -Surge voltage:                 | -IEC 61000-4-5   |
| -RF Conducted                   | -IEC 61000-4-6   |
| -Voltage Dips and Interruptions | -IEC 61000-4-11  |

Table 16 –Safety Certification

### 6.2 AC Input Leakage Current

Input leakage current from line to ground will be less than 3.5mA rms. Measurement will be made at 240 VAC and 60Hz.

## 7. Reliability

### 7.1 Mean Time Between Failures (MTBF)

The MTBF of the power supply shall be calculated utilizing the Part-Stress Analysis method of MIL217F or Bell core RPP. The calculated MTBF of the power supply shall be greater than 100,000 hours under the following conditions:

Full rated load  
120V AC input  
Ground Benign  
25°C



## 8. MECHANICAL REQUIREMENTS

### 8.1 Physical Dimension

150 mm (W) × 86 mm (H) × 150 mm (D)

### 8.2 Connectors Define

#### M/B 24PIN connector

| 18AWG wire    | Signal     | Pin | Pin | Signal  | 18AWG wire   |
|---------------|------------|-----|-----|---------|--------------|
| Orange        | +3.3V      | 13  | 1   | +3.3V   | Orange       |
| Orange(22AWG) | +3.3Vsense | 13  |     |         |              |
| Blue (18AWG)  | -12VDC     | 14  | 2   | +3.3V   | Orange       |
| Black         | COM        | 15  | 3   | COM     | Black        |
| Green(18AWG)  | PS-ON      | 16  | 4   | +5VDC   | Red          |
| Black         | COM        | 17  | 5   | COM     | Black        |
| Black         | COM        | 18  | 6   | +5VDC   | Red          |
| Black         | COM        | 19  | 7   | COM     | Black        |
| White         | N/C        | 20  | 8   | PWRGOOD | Grey (18AWG) |
| Red           | +5VDC      | 21  | 9   | +5Vsb   | Purple       |
| Red           | +5VDC      | 22  | 10  | +12V    | Yellow       |
| Red (22AWG)   | +5Vsense   | 22  |     |         |              |
| Red           | +5VDC      | 23  | 11  | +12V    | Yellow       |
| Black         | COM        | 24  | 12  | +3.3V   | Orange       |

#### EPS 12V 8PIN connector

| 18AWG wire | Signal | Pin | Pin | Signal | 18AWG wire |
|------------|--------|-----|-----|--------|------------|
| Yellow     | +12V   | 5   | 1   | COM    | Black      |
| Yellow     | +12V   | 6   | 2   | COM    | Black      |
| Yellow     | +12V   | 7   | 3   | COM    | Black      |
| Yellow     | +12V   | 8   | 4   | COM    | Black      |

#### ATX 12V 4PIN

| 18AWG wire | Signal | Pin | Pin | Signal | 18AWG wire |
|------------|--------|-----|-----|--------|------------|
| Black      | GND    | 1   | 3   | +12V   | Yellow     |
| Black      | GND    | 2   | 4   | +12V   | Yellow     |

**4PIN peripheral connector (HDD)****4PIN floppy connector (FDD)**

| 18 AWG wire | Signal | Pin | Pin | Signal | 22AWG wire |
|-------------|--------|-----|-----|--------|------------|
| Yellow      | +12V   | 1   | 1   | +5VDC  | Red        |
| Black       | COM    | 2   | 2   | COM    | Black      |
| Black       | COM    | 3   | 3   | COM    | Black      |
| Red         | +5VDC  | 4   | 4   | +12V   | Yellow     |

**SATA connector**

| 118AWG wire | Signal | Pin |
|-------------|--------|-----|
| Orange      | +3.3V  | 5   |
| Black       | COM    | 4   |
| Red         | +5V    | 3   |
| Black       | COM    | 2   |
| Yellow      | +12V   | 1   |

**6 PIN PCI Express connector**

| 18AWG wire | Signal | Pin | Pin | Signal | 18AWG wire |
|------------|--------|-----|-----|--------|------------|
| Yellow     | +12V   | 1   | 4   | COM    | Black      |
| Yellow     | +12V   | 2   | 5   | COM    | Black      |
| Yellow     | +12V   | 3   | 6   | COM    | Black      |

**8PIN PCI Express connector**

| 18AWG wire   | Signal | Pin | Pin | Signal | 18AWG wire |
|--------------|--------|-----|-----|--------|------------|
| Yellow       | +12V   | 1   | 5   | COM    | Black      |
| Yellow       | +12V   | 2   | 6   | COM    | Black      |
| Yellow       | +12V   | 3   | 7   | COM    | Black      |
| Black sense1 | COM    | 4   | 8   | COM    | Black      |



To be valid, this sheet must be filled out by  
your salesperson at the time of purchase.

Store :

Purchaser :

Purchase date :

Model No. :

Serial No. :

SILVERSTONE

---

*SilverStone Technology Co., Ltd.*

---

**[www.silverstonetek.com](http://www.silverstonetek.com)**

---

[support@silverstonetek.com](mailto:support@silverstonetek.com)

Issue date: September, 2008

NO.G11208460

---