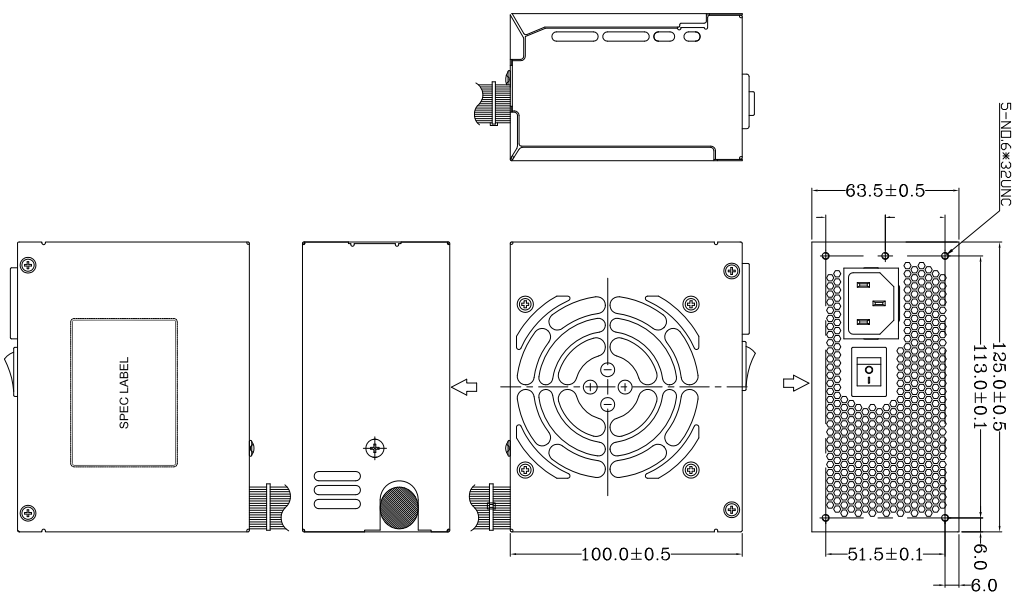
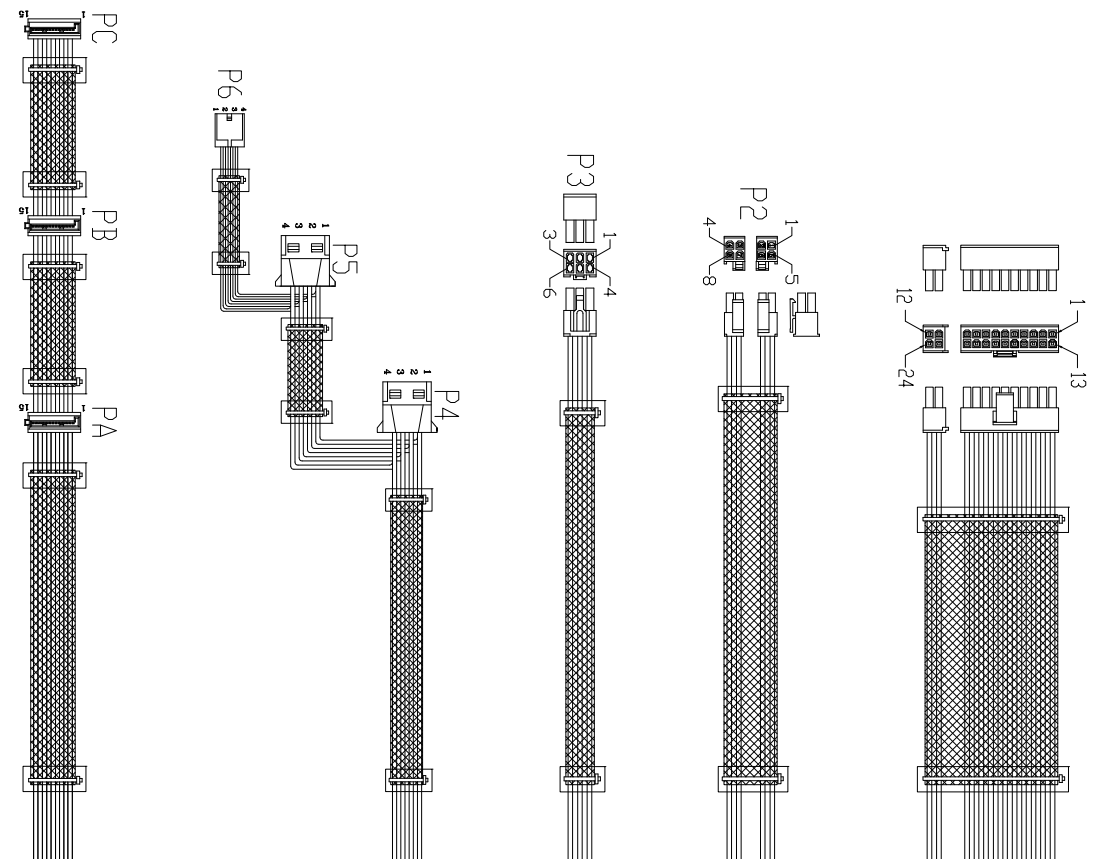


SST-ST30SF



UNIT:mm