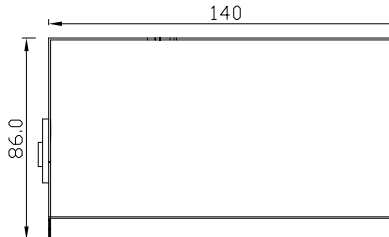
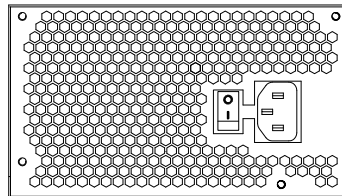
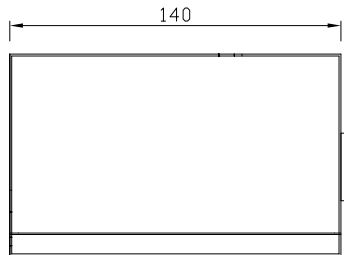
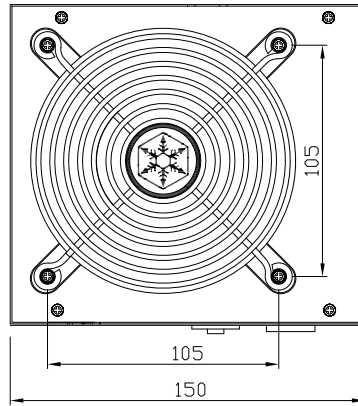
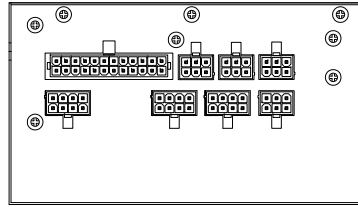
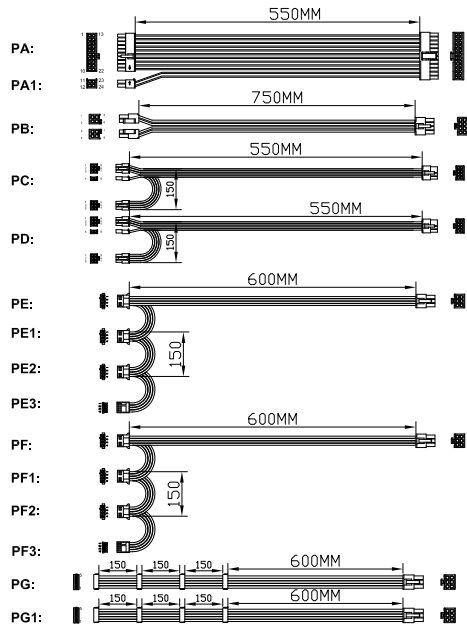


SST-ST65F-G

DIM.
PA: 550+30MM -0MM
PA1: 555+30MM -0MM
PB: 750+30MM -0MM
PC: 550+30MM -0MM
PD: 150+30MM -0MM
PE: 600+30MM -0MM
PE1-3: 550+30MM -0MM
PF: 600+30MM -0MM
PF1-3: 550+30MM -0MM
PG: 1050+30MM -0MM
PG1:



REF.ID.	PIN NO.	COLOR	V
PA PA1	1	ORANGE	+3.3V
	2	ORANGE	+3.3V
	3	BLACK	COM
	4	RED	+5V
	5	BLACK	COM
	6	RED	+5V
	7	BLACK	COM
	8	GRAY	PWR_OK
	9	PURPLE	+5VSB
	10	YELLOW	+12V
	11	YELLOW	+12V
	12	ORANGE	+3.3V
	13	BROWN	+3.3V (SENSE)
	14	BLUE	-12V
	15	BLACK	COM
	16	GREEN	PS_ON#
	17	BLACK	COM
	18	BLACK	COM
	19	BLACK	COM
	20		
	21	RED	+5V
	22	RED	+5V
	23	RED	+5V
	24	BLACK	COM

REF.ID.	PIN NO.	COLOR	V
PG PG1	1	ORANGE	+3.3V
	2	BLACK	COM
	3	RED	+5V
	4	BLACK	COM
	5	YELLOW	+12V
PE-PE2 PF-PF2	1	YELLOW	+12V
	2	BLACK	COM
	3	BLACK	COM
	4	RED	+5V
PE3 PF3	1	RED	+5V
	2	BLACK	COM
	3	BLACK	COM
PB	4	YELLOW	+12V
	1	BLACK	COM
	2	BLACK	COM
	3	BLACK	COM
	4	BLACK	COM
	5	YELLOW	+12V
	6	YELLOW	+12V
	7	YELLOW	+12V
PC PD	8	YELLOW	+12V
	1	YELLOW	+12V
	2	YELLOW	+12V
	3	YELLOW	+12V
	4	BLACK	COM
	5	BLACK	COM
	6	BLACK	COM
	7	BLACK	COM
PC PD	8	BLACK	COM
	1	YELLOW	+12V
	2	YELLOW	+12V
	3	YELLOW	+12V
	4	BLACK	COM
	5	BLACK	COM
6	BLACK	COM	