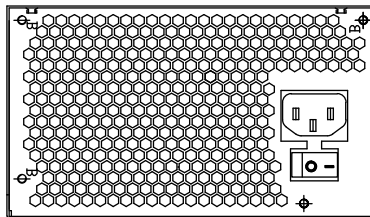
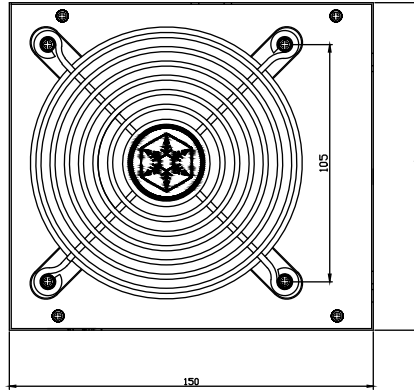
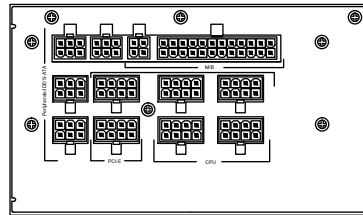
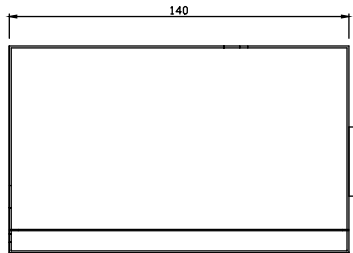
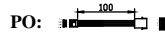
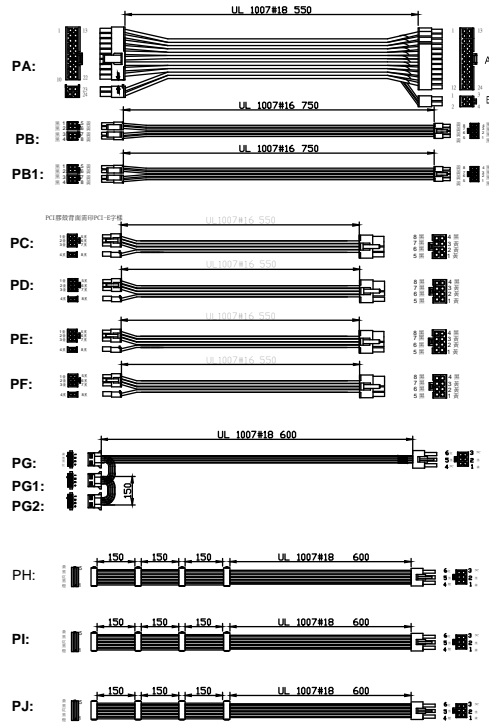


SST-ST85F-PT

DIM.
PA: 550+10MM -0MM
PB: 750+10MM -0MM
PB1: 750+10MM -0MM
PC: 550+10MM -0MM
PD: 550+10MM -0MM
PE: 550+10MM -0MM
PF: 550+10MM -0MM
PG: 600+10MM -0MM
PG1: 150+10MM PG2: -0MM
PH: 1050+10MM -0MM
PI: 1050+10MM -0MM
PJ: 1050+10MM -0MM
PO: 100+10MM -0MM



REF.ID.	PIN NO.	COLOR	V
PA	1	ORANGE	+3.3V
	2	ORANGE	+3.3V
	3	BLACK	COM
	4	RED	+5V
	5	BLACK	COM
	6	RED	+5V
	7	BLACK	COM
	8	GRAY	PWR_OK
	9	PURPLE	+5VSB
	10	YELLOW	+12V
	11	YELLOW	+12V
	12	ORANGE	+3.3V
	13	ORANGE	+3.3V
		BROWN	+3.3V (SENSE)
	14	BLUE	-12V
	15	BLACK	COM
	16	GREEN	PS_ON#
	17	BLACK	COM
	18	BLACK	COM
	19	BLACK	COM
	20		
	21	RED	+5V
	22	RED	+5V
	23	RED	+5V
24	BLACK	COM	

REF.ID.	PIN NO.	COLOR	V	
PH PI PJ	1	ORANGE	+3.3V	
	2	BLACK	COM	
	3	RED	+5V	
	4	BLACK	COM	
	5	YELLOW	+12V	
PG PG1 PG2	1	YELLOW	+12V	
	2	BLACK	COM	
	3	BLACK	COM	
	4	RED	+5V	
PO	1	RED	+5V	
	2	BLACK	COM	
	3	BLACK	COM	
	4	YELLOW	+12V	
	PB PB1	1	BLACK	COM
		2	BLACK	COM
		3	BLACK	COM
		4	BLACK	COM
5		YELLOW	+12V	
6		YELLOW	+12V	
7		YELLOW	+12V	
8		YELLOW	+12V	
PC PD PE PF	1	YELLOW	+12V	
	2	YELLOW	+12V	
	3	YELLOW	+12V	
	4	BLACK	COM	
	5	BLACK	COM	
	6	BLACK	COM	
	7	BLACK	COM	
	8	BLACK	COM	

