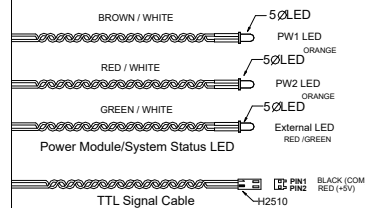
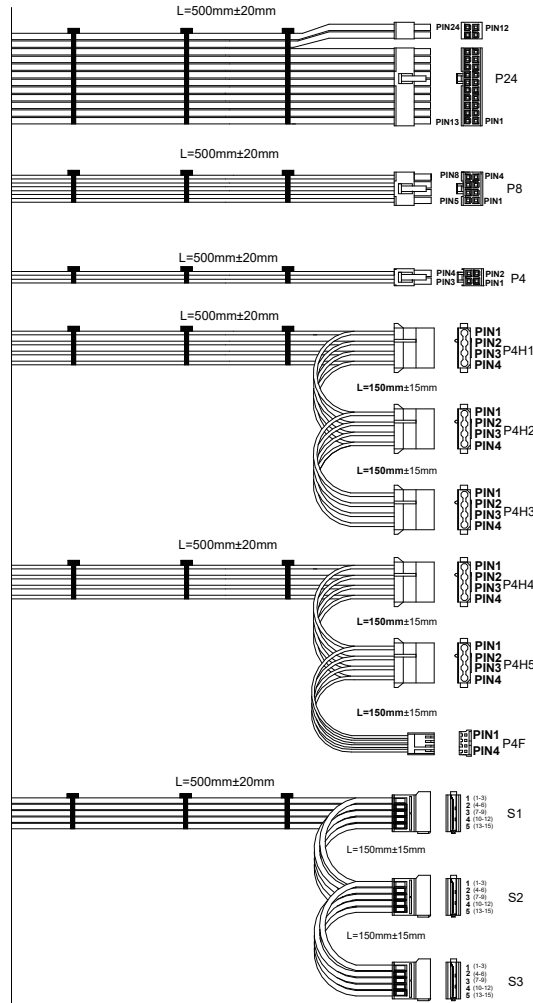
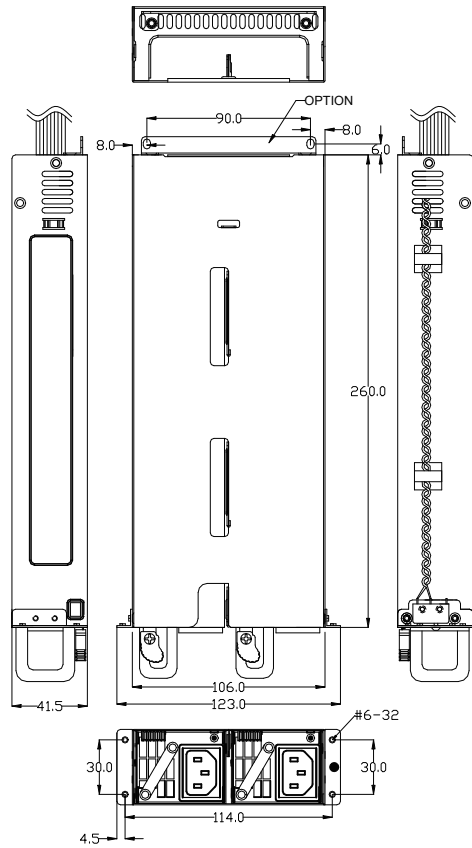


GM400 1U Bronze



POWER Module/System Status LED					
Name	Pin No.	WIRE COLOR	WIRE TYPE	LED COLOR	LENGTH
PW1LED	1	BROWN	22AWG	ORANGE	900mm±20mm
PW1LED	2	WHITE	22AWG	ORANGE	
PW2LED	1	RED	22AWG	ORANGE	
PW2LED	2	WHITE	22AWG	ORANGE	
External LED	1	GREEN	22AWG	RED	900mm±20mm
External LED	2	WHITE	22AWG	GREEN	
TTL Signal					
Connector HOUSING: Molex 22-01-3027 or equivalent					
Pin No.	WIRE COLOR	SIGNAL	WIRE TYPE	LENGTH	
1	BLACK	COM	22AWG	900mm±20mm	
2	RED	+5V	22AWG		

24Pins(EP812V)						
Connector HOUSING(BLACK): MOLEX 39-01-2240 or equivalent						
TERMINAL: MOLEX 39-00-0039 or equivalent WIRE:UL1007						
Housing No.	Pin No.	WIRE COLOR	LENGTH	Pin No.	WIRE COLOR	LENGTH
P24	1	ORANGE(+3.3V)	500mm±18AWG	13	ORANGE(+3.3V)	500mm±18AWG
	2	ORANGE(+3.3V)	500mm±18AWG	14	BLUE(-12V)	500mm±22AWG
	3	BLACK(GND)	500mm±18AWG	15	BLACK(GND)	500mm±18AWG
	4	RED(+5V)	500mm±18AWG	16	GREEN(P5-2N)	500mm±20AWG
	5	BLACK(GND)	500mm±18AWG	17	BLACK(GND)	500mm±18AWG
	6	RED(+5V)	500mm±18AWG	18	BLACK(GND)	500mm±18AWG
	7	BLACK(GND)	500mm±18AWG	19	BLACK(GND)	500mm±18AWG
	8	GRAY(P5)	500mm±20AWG	20	NA	
	9	PURPLE(+5VSB)	500mm±18AWG	21	RED(+5V)	500mm±18AWG
	10	YELLOW(+12V)	500mm±18AWG	22	RED(+5V)	500mm±18AWG
	11	YELLOW(+12V)	500mm±18AWG	23	RED(+5V)	500mm±18AWG
	12	ORANGE(+3.3V)	500mm±18AWG	24	BLACK(GND)	500mm±18AWG
8Pins(EP812V)						
Connector HOUSING(BLACK): MOLEX 39-01-0280 or equivalent						
TERMINAL: MOLEX 39-00-0060 or equivalent WIRE:UL1007						
Housing No.	Pin No.	WIRE COLOR	SIGNAL	WIRE TYPE	LENGTH	
P8A	1	BLACK	COM	18AWG	500mm	
	2	BLACK	COM	18AWG	500mm	
	3	BLACK	COM	18AWG	500mm	
	4	BLACK	COM	18AWG	500mm	
	5	YELLOW	+12V	18AWG	500mm	
	6	YELLOW	+12V	18AWG	500mm	
	7	YELLOW	+12V	18AWG	500mm	
	8	YELLOW	+12V	18AWG	500mm	
4Pins(ATX12V FOR P4)						
Connector HOUSING(BLACK): MOLEX 39-01-0280 or equivalent						
TERMINAL: MOLEX 39-00-0060 or equivalent WIRE:UL1007						
Housing No.	Pin No.	WIRE COLOR	SIGNAL	WIRE TYPE	LENGTH	
P4	1	BLACK	COM	18AWG	500mm ±20mm	
	2	BLACK	COM	18AWG		
	3	YELLOW	+12V	18AWG		
	4	YELLOW	+12V	18AWG		
4Pins(HDC-ROOM) P4H1~P4H4						
Connector HOUSING(BLACK): AMP 480424-0 or equivalent						
TERMINAL: AMP 62619-4 or equivalent WIRE:UL1007						
Housing No.	Pin No.	WIRE COLOR	SIGNAL	WIRE TYPE	LENGTH	
P4H1	1	YELLOW	+12V	18AWG	500mm ±20mm	
	2	BLACK/BLACK	COM	18AWG		
	3	BLACK/BLACK	COM	18AWG		
	4	RED/RED	+5V	18AWG		
P4H2	1	RED/RED	+12V	18AWG	150mm ±15mm	
	2	BLACK/BLACK	COM	18AWG		
P4H5	1	RED/RED	+5V	18AWG	150mm ±15mm	
	2	BLACK	COM	18AWG		
P4H3	1	YELLOW	+12V	18AWG	150mm ±15mm	
	2	BLACK	COM	18AWG		
P4F	1	RED	+5V	18AWG	150mm ±15mm	
	2	BLACK	COM	18AWG		
	3	BLACK	COM	18AWG		
	4	RED	+5V	18AWG		
SATA HDD						
HOUSING(BLACK): MOLEX 675820000 or equivalent						
TERMINAL: MOLEX 675810000 or equivalent WIRE:UL1007						
Housing No.	Pin No.	WIRE COLOR	SIGNAL	WIRE TYPE	LENGTH	
S1	1	ORANGE	+3V3	18AWG	500mm ±20mm	
	2	BLACK	COM	18AWG		
	3	RED	+5V	18AWG		
	4	BLACK	COM	18AWG		
	5	YELLOW	+12V	18AWG		
S2	1	ORANGE	+3V3	18AWG	150mm ±15mm	
	2	BLACK	COM	18AWG		
	3	RED	+5V	18AWG		
	4	BLACK	COM	18AWG		
	5	YELLOW	+12V	18AWG		
S3	1	ORANGE	+3V3	18AWG	150mm ±15mm	
	2	BLACK	COM	18AWG		
	3	RED	+5V	18AWG		
	4	BLACK	COM	18AWG		
	5	YELLOW	+12V	18AWG		